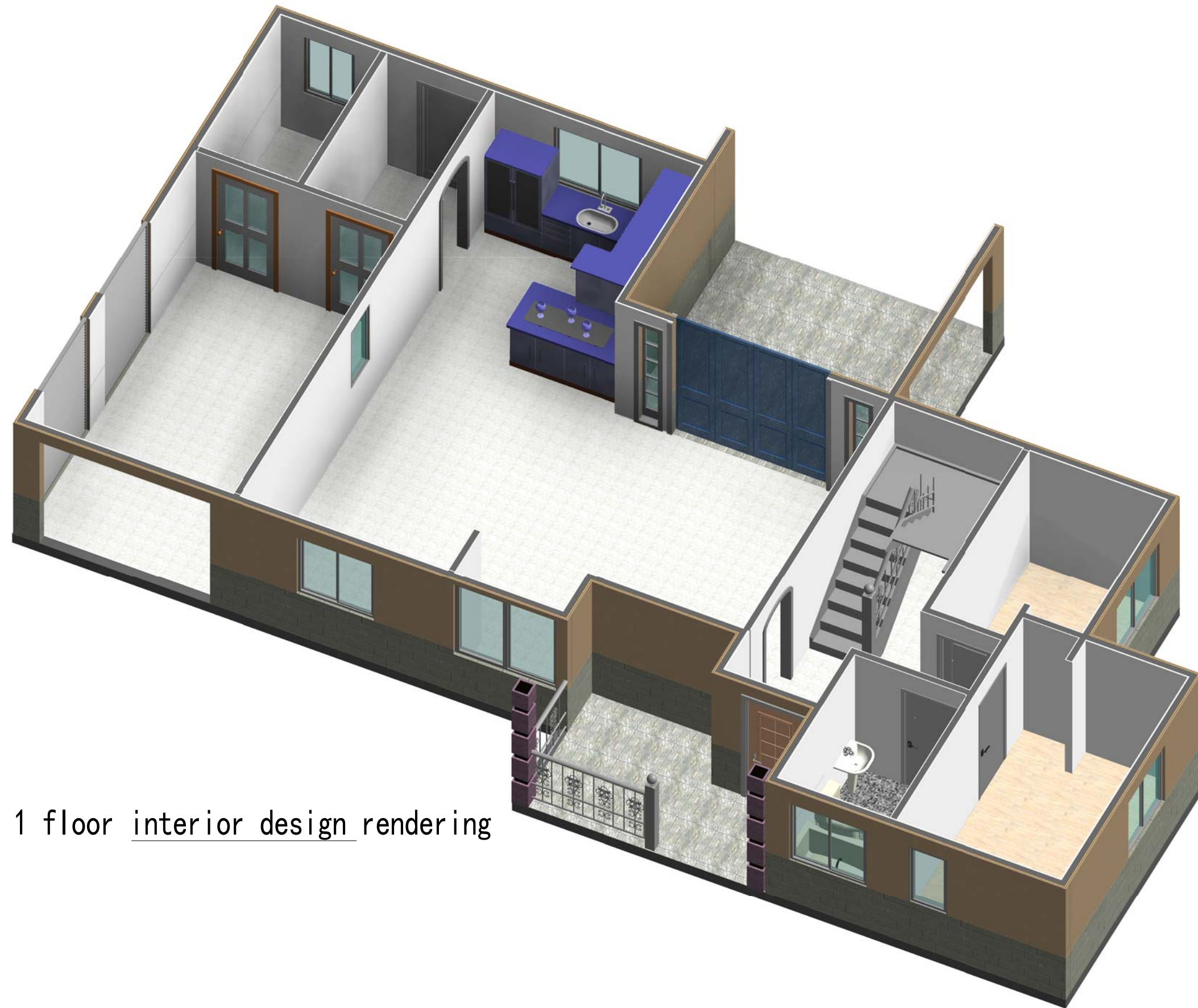


| | |
|---|---|
| 电 | 力 |
| 暖 | 通 |
| 动 | 力 |
| 建 | 筑 |
| 结 | 构 |
| 给 | 排 |
| 水 | |
| 会 | 签 |



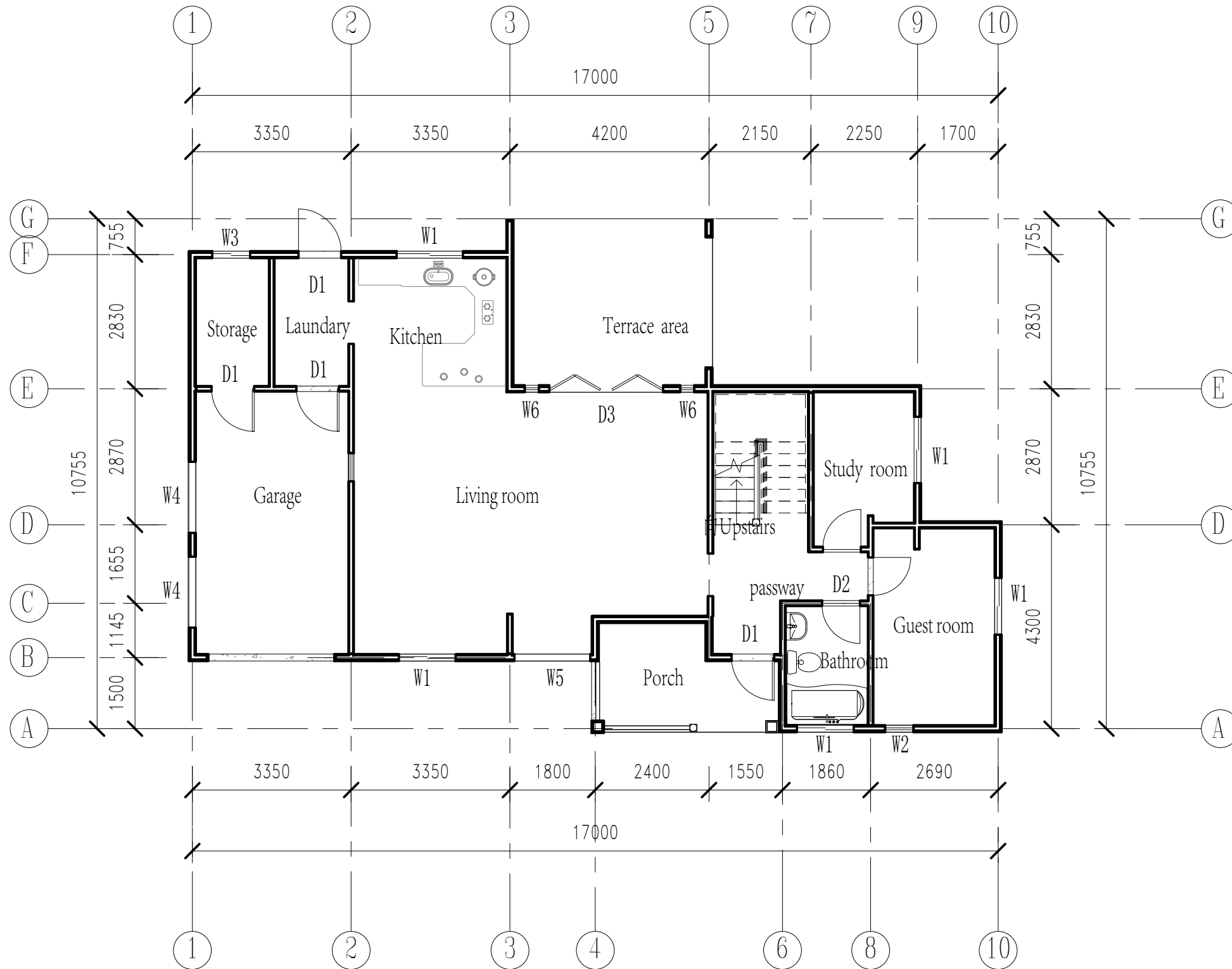
1 floor interior design rendering

| | | |
|---|---|---|
| 会 | 建 | 电 |
| 签 | 筑 | 力 |
| | 构 | 暖 |
| | 给 | 通 |
| | 排 | 动 |
| | 水 | 力 |



2nd floor interior design rendering

| | | |
|----|----|-----|
| 电力 | 暖通 | 动力 |
| 建筑 | 结构 | 给排水 |
| 会 | 签 | |



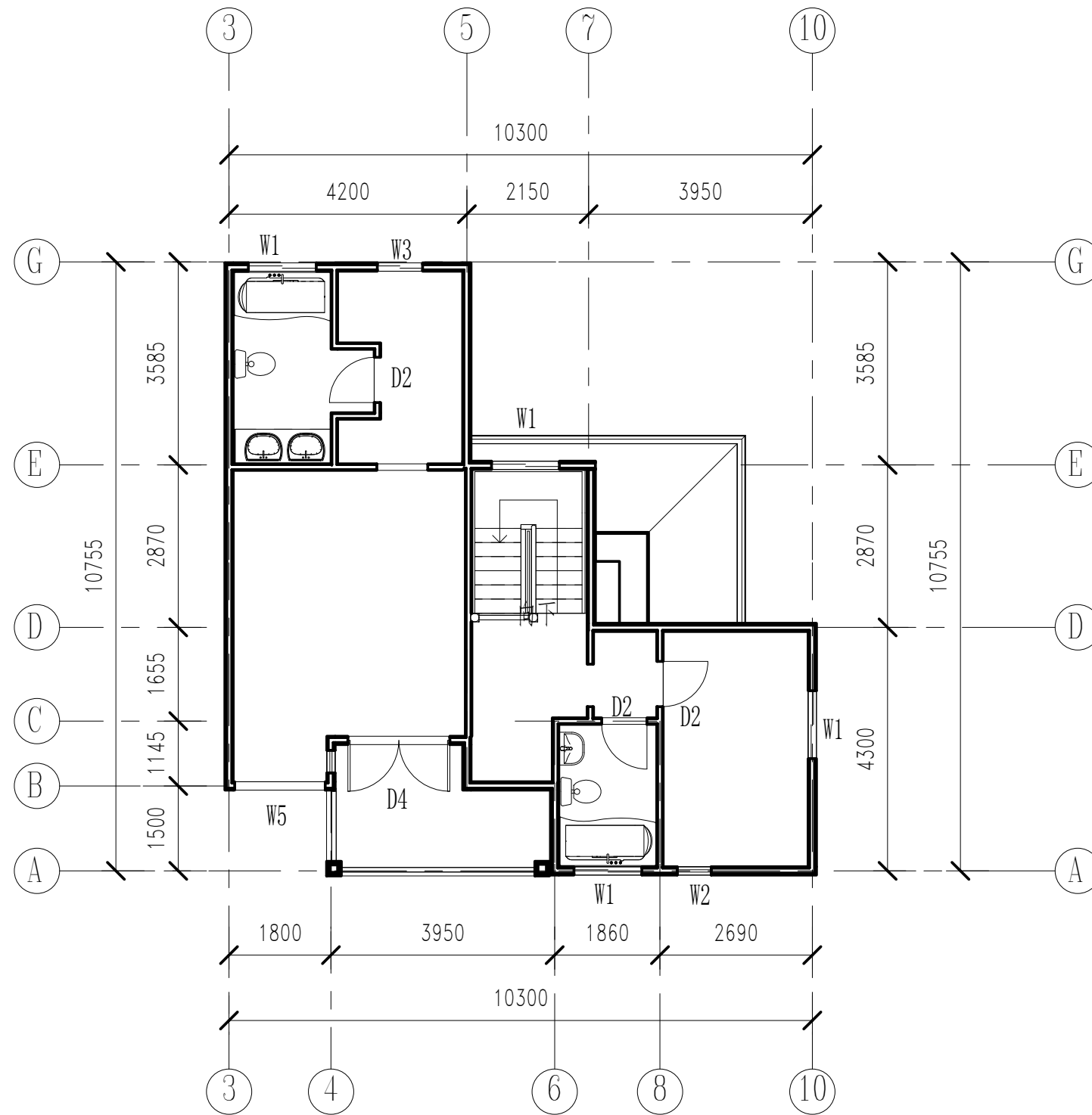
- D1: 900*2050mm Steel security door
- D2: 800*2050mm Imitation wooden door
- D3: 2400*2400 Folded glass door
- W1: 1200*1200mm UPVC hurricane(high) impact window(10.76mm+6a+5),Chinese standard
- W2: 600*1200mm UPVC hurricane(high) impact window(10.76mm+6a+5),Chinese standard
- W3: 800*1200mm UPVC hurricane(high) impact window(10.76mm+6a+5),Chinese standard
- W4: 1500*2400mm Aluminum alloy louvre window
- W5: 1600*1500mm UPVC hurricane(high) impact fixed window(10.76mm+6a+5),Chinese standard
- W6: 300*2100mm UPVC hurricane(high) impact fixed window(10.76mm+6a+5),Chinese standard
- Floor: Ceramic tile on site

Ground floor plan

Remarks:

- 1、 First floor are concrete brick covered by client on site
- 2.PTH provide door and window ,sanitary fitting ,kitchen cabinate and floor for the first floor only

| | | |
|----|----|-----|
| 电力 | 暖通 | 动力 |
| | | |
| 建筑 | 结构 | 给排水 |
| 会 | 签 | |



Second floor plan

D4: 1500*2050mm Steel security double open door

D2: 800*2050mm Imitation wooden door

W1: 1200*1200mm UPVC hurricane(high) impact window(10.76mm+6a+5),Chinese standard

W2: 600*1200mmUPVC hurricane(high) impact window(10.76mm+6a+5),Chinese standard

W3: 800*1200mmUPVC hurricane(high) impact window(10.76mm+6a+5),Chinese standard

W4: 1500*2400mm Alunium alloy louvre window

W5: 1600*1500mm UPVC hurricane(high) impact fixed window(10.76mm+6a+5),Chinese standard

W6: 300*2100mm UPVC hurricane(high) impact fixed window(10.76mm+6a+5),Chinese standard

Floor: Ceramic tile on site

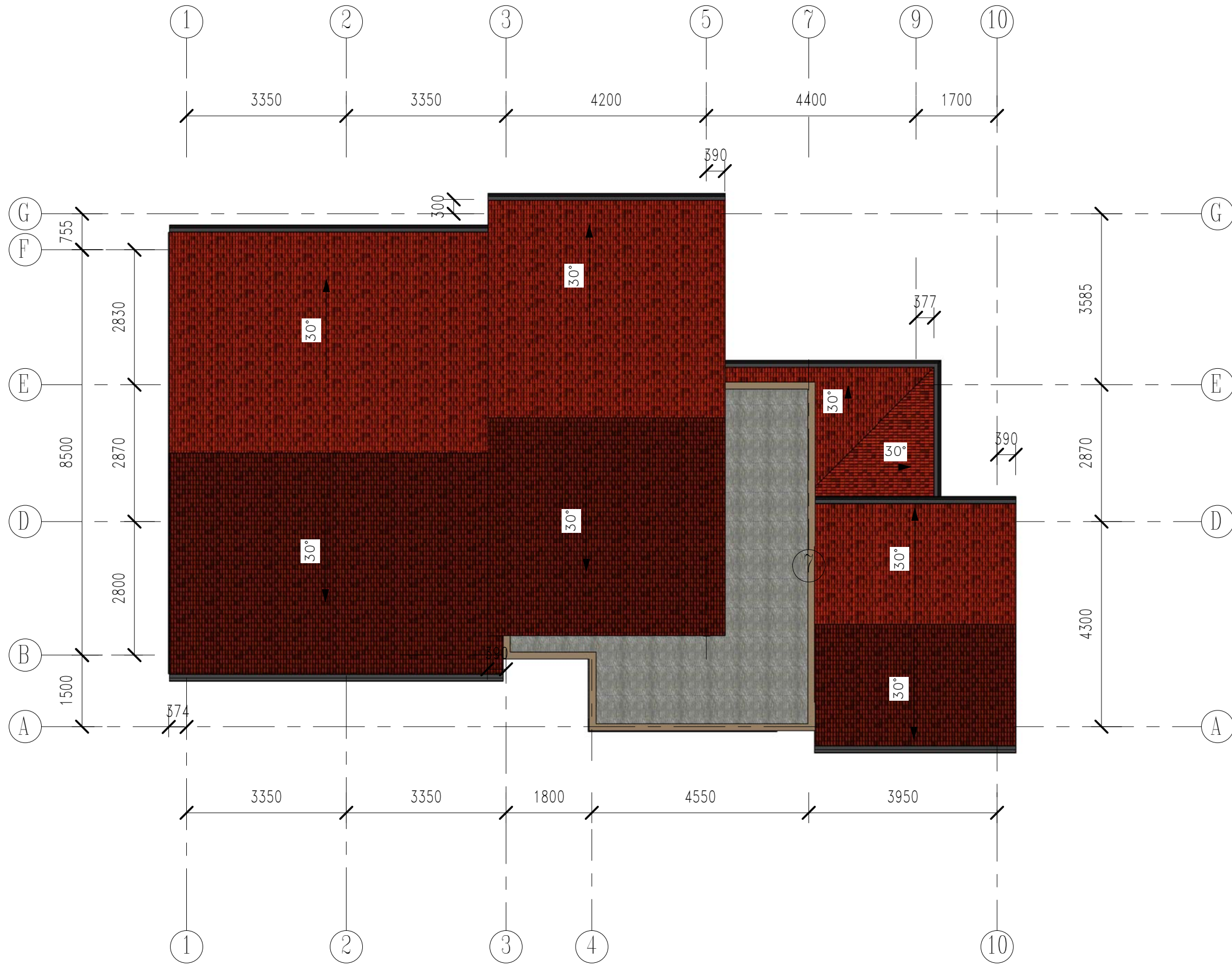
Remarks

1、 Second floor adopts 89 serial light steel keel struture ,

G550, AL-ZN galvanized , AZ150g/m

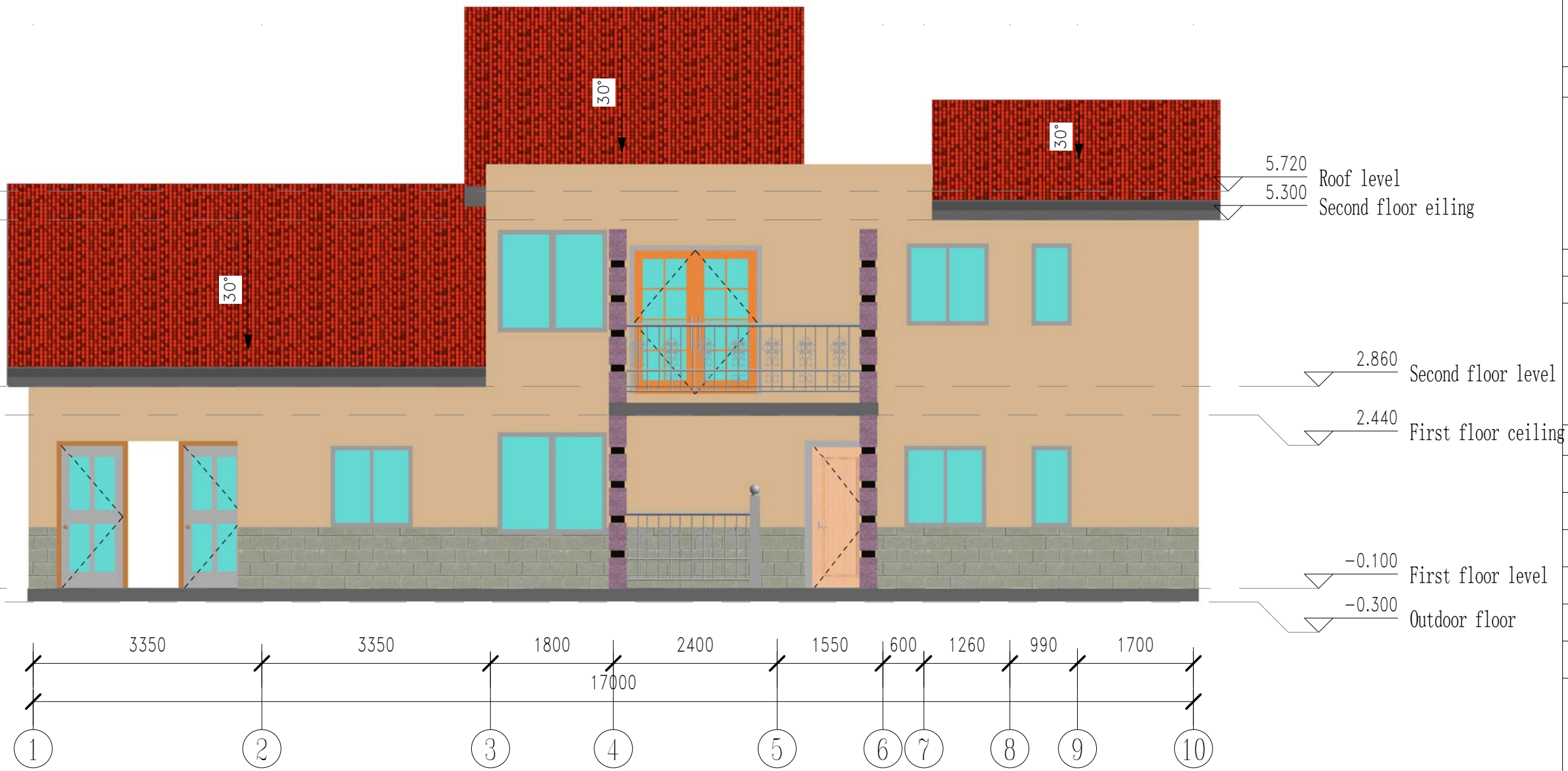
2、 Roof tile :0.5mm colored steel glazed tile (Orange)

| | | |
|----|----|-----|
| 电力 | 暖通 | 动力 |
| 建筑 | 结构 | 给排水 |
| 会 | 签 | |



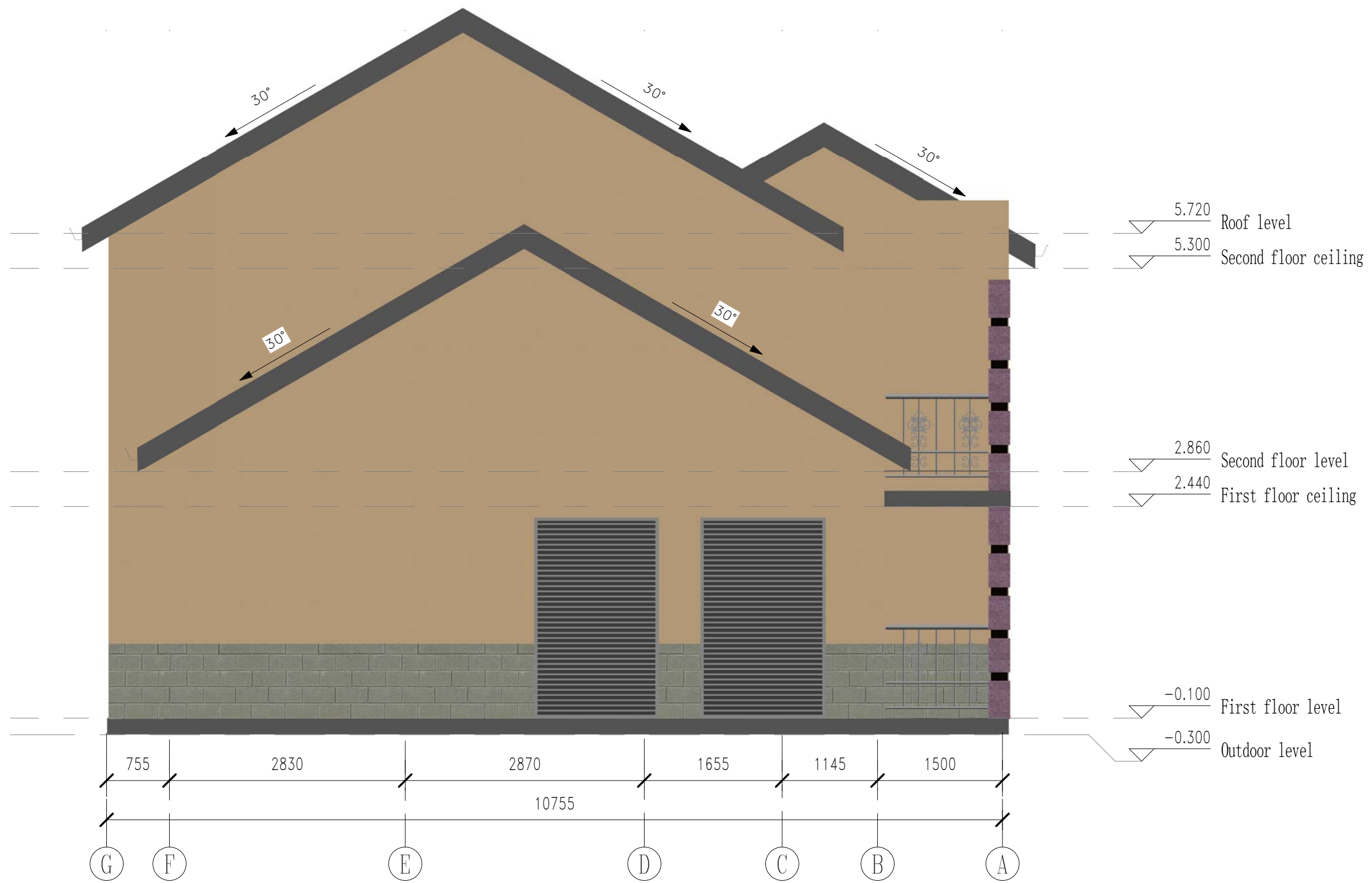
Roof plan

| | | |
|----|----|-----|
| 电力 | 暖通 | 动力 |
| 建筑 | 结构 | 给排水 |
| 会 | 签 | |



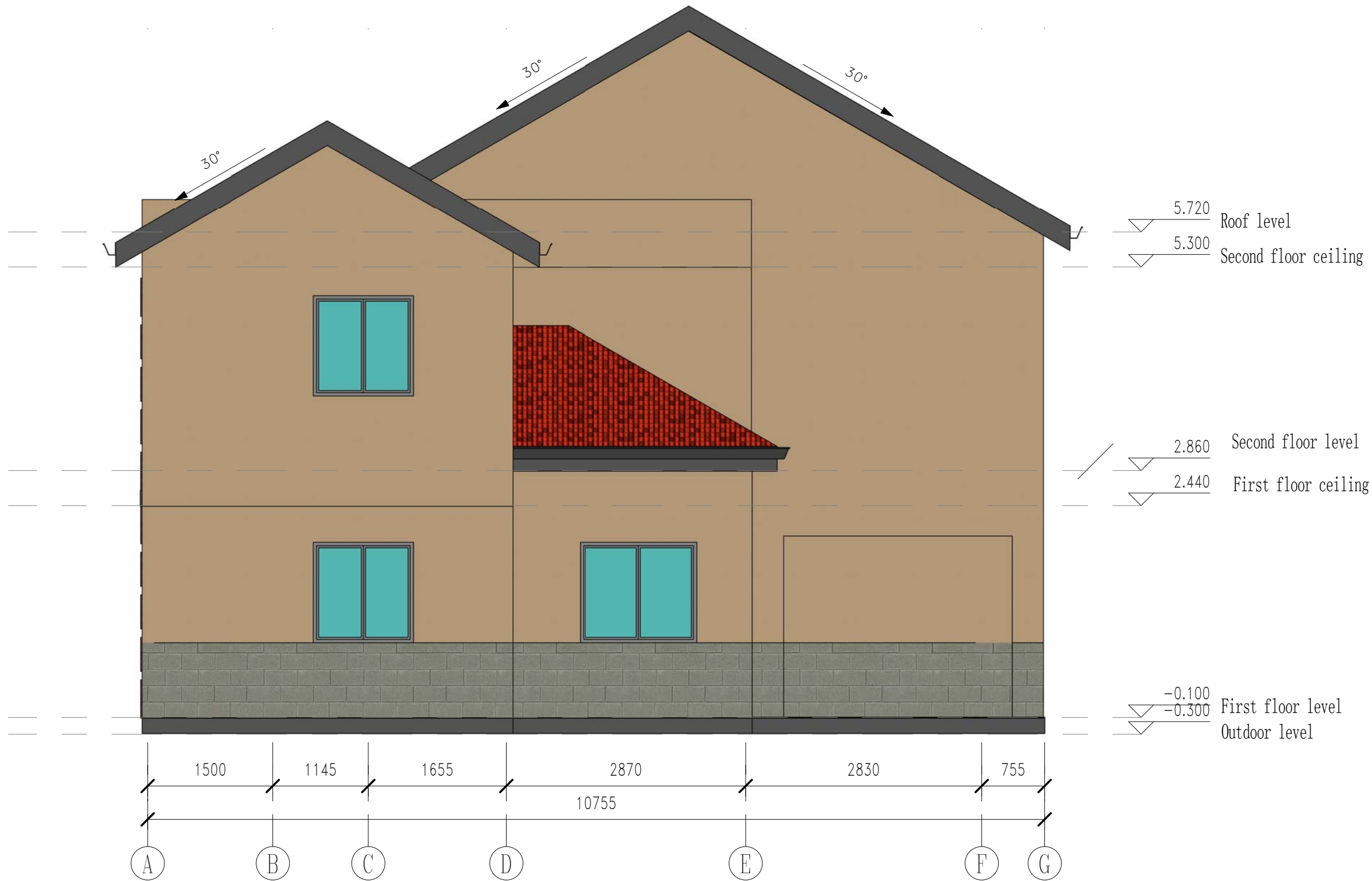
South elevation

| | | |
|----|----|-----|
| 电力 | 暖通 | 动力 |
| 建筑 | 结构 | 给排水 |
| 会 | 签 | |



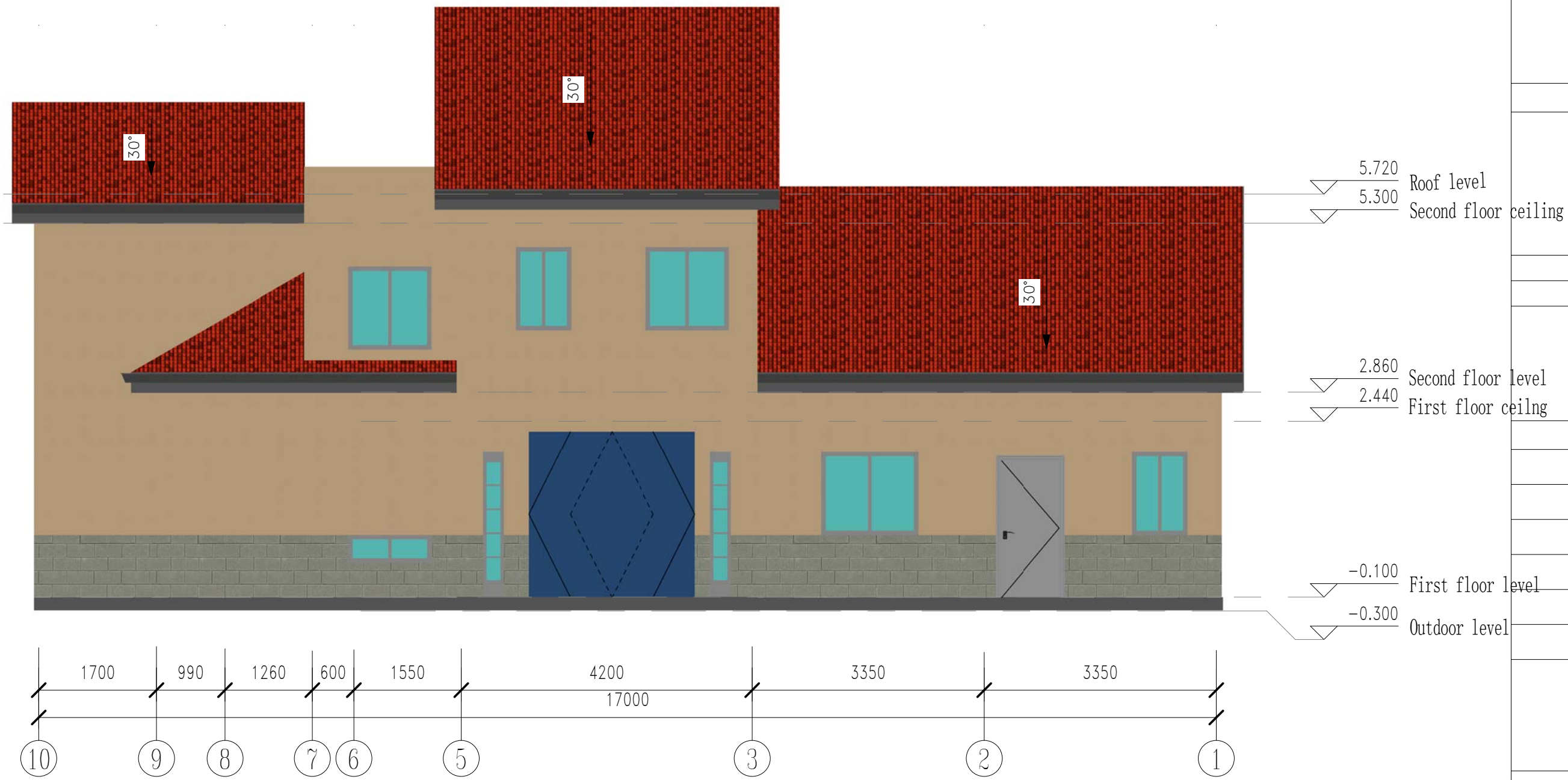
West elevation

| | | |
|----|----|-----|
| 电力 | 暖通 | 动力 |
| 建筑 | 结构 | 给排水 |
| 会 | 签 | |

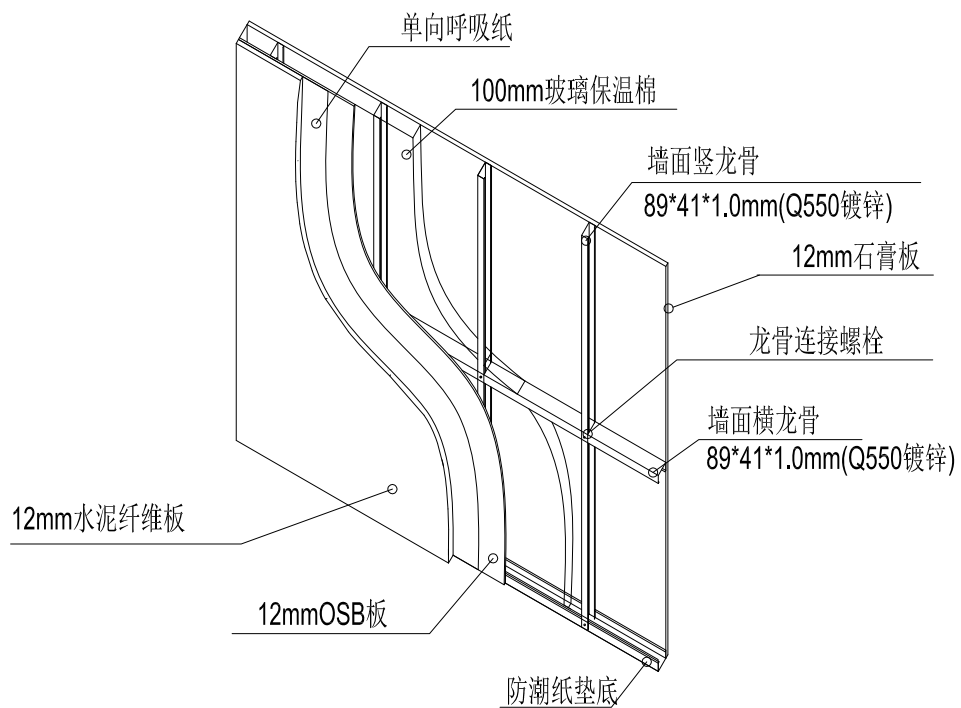


East elevation

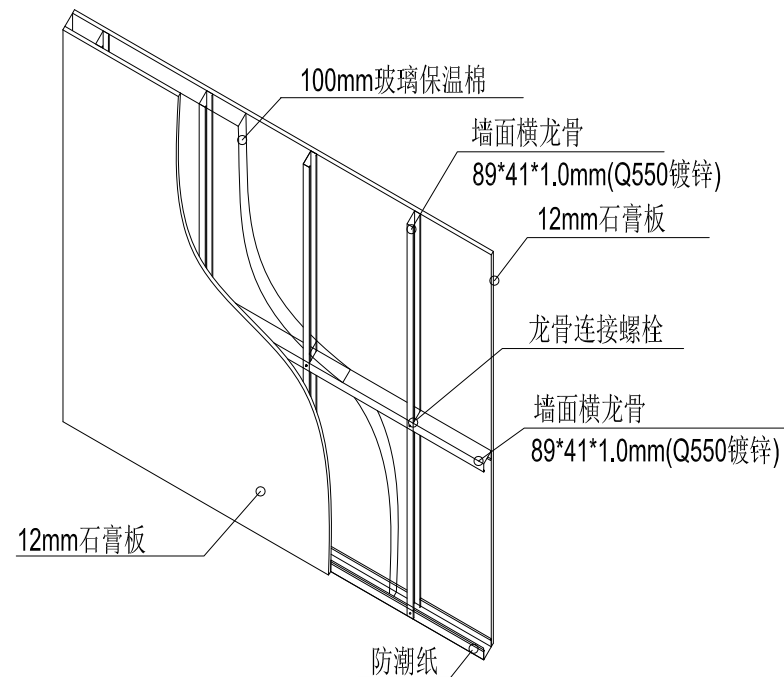
| | | |
|----|----|-----|
| 电力 | 暖通 | 动力 |
| 建筑 | 结构 | 给排水 |
| 会签 | | |



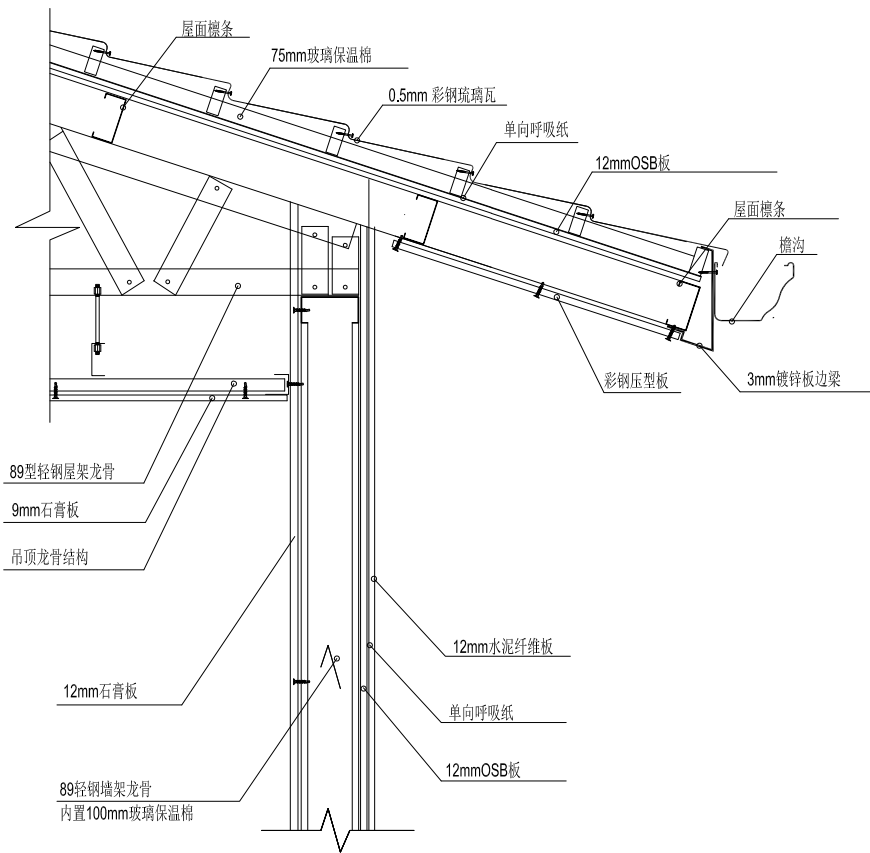
North elevation



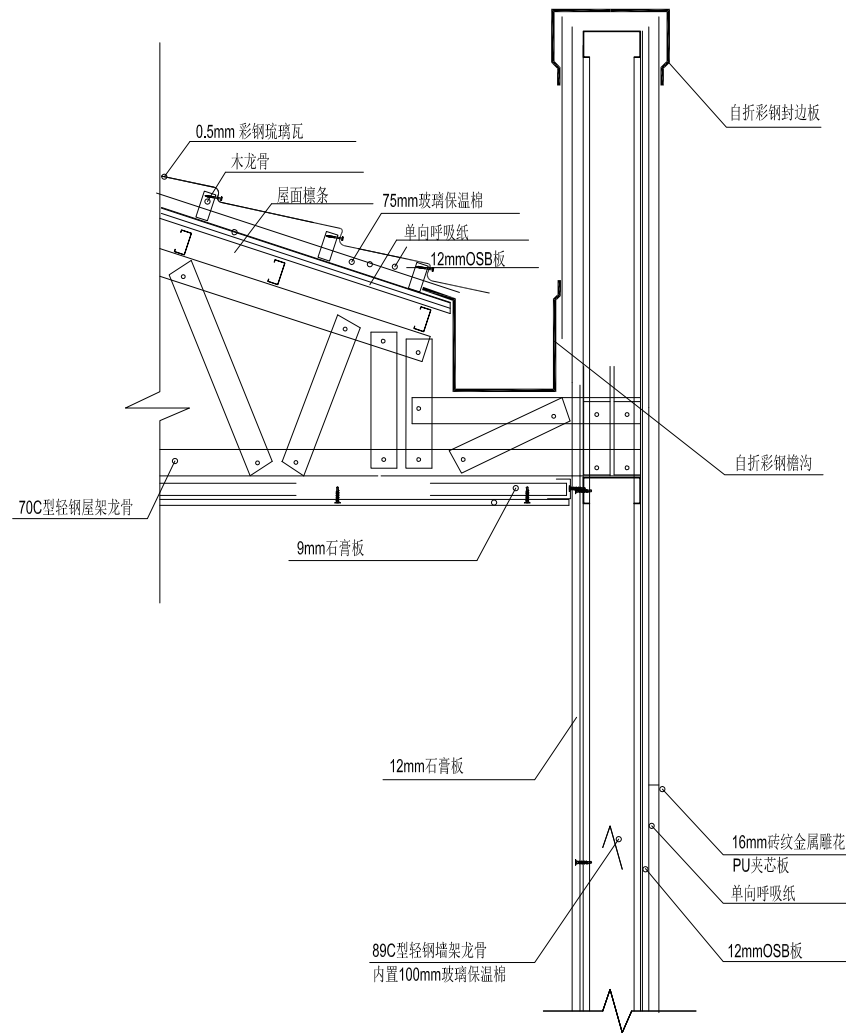
外墙3D大样图



内墙3D大样图



屋檐结构图



屋檐结构图

带女儿墙