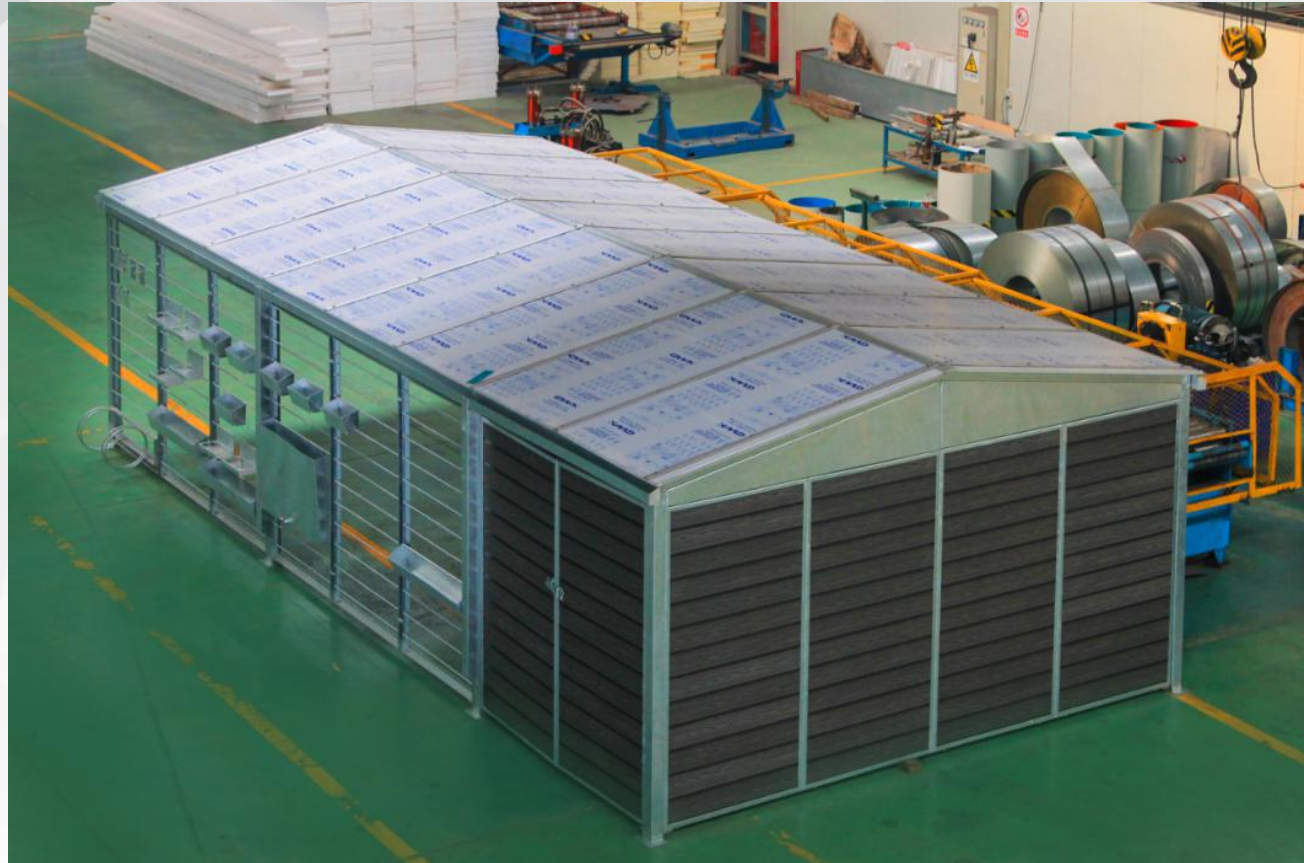


**PTH**

## German steel garage

1. Project time : 2013
2. Project site : German
3. Project scale : 200 set
4. Product type : Steel structure
5. Usage : Garage
6. Project features : Steel structure double slope garage, steel structure garage can withstand extreme conditions such as strong wind, earthquake, snowstorm and heavy rain.



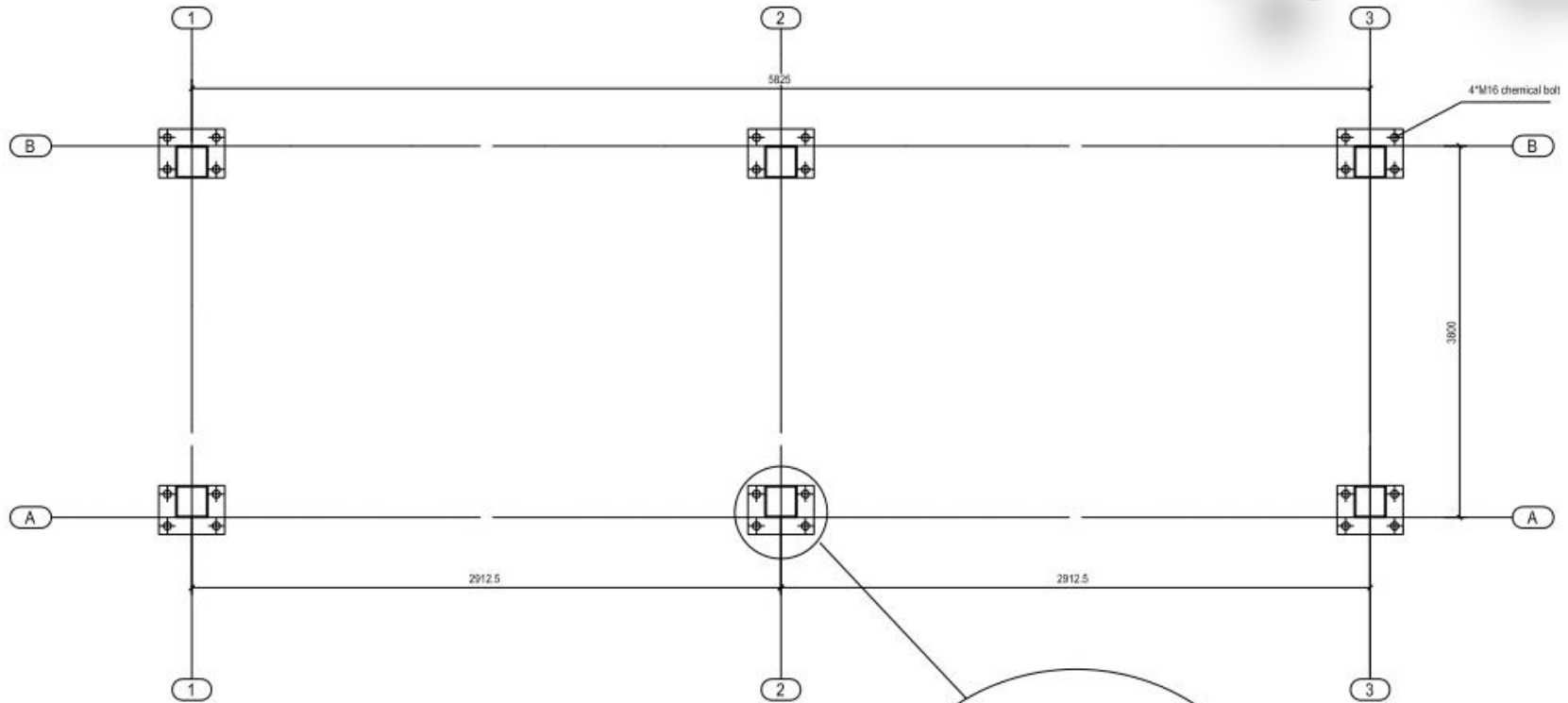
# Project Design



PTH has more than 100 R&D design and technical engineers from home and abroad, and provides customized design services. Using the relevant information data of the construction project as the basis of the model, the building model is established, and the real information of the building is simulated through digital information simulation. At present, we have completed the research and development of the Revit family library of various products of the company, laying the foundation for efficient and accurate design, and at the same time can fully show the detailed nodes and three-dimensional effects of our company's products to customers.

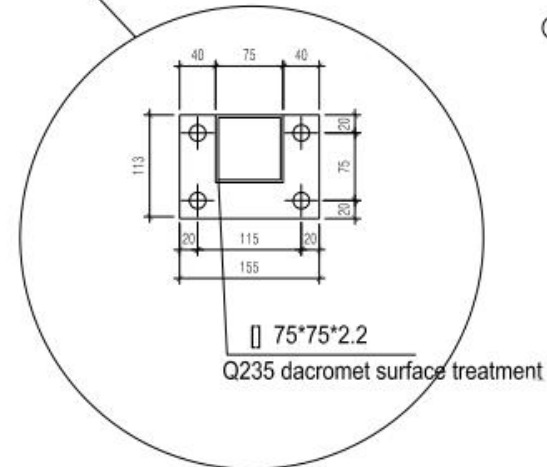
Project characteristics: The customer is a German construction buyer who needs to build garages for multiple local communities. After learning about PTH's steel structure products, he believes that PTH's products fully meet their requirements. A batch of steel structure double-slope bicycle sheds immediately ordered from PTH after coming to the factory for inspection. After production, we carried out sample construction in the factory so that customers can understand how to install.

# Design



The design drawings of PTH are designed according to the needs of customers and local building codes. After obtaining the permission of the local government, they can finally continue to deepen the design after passing the review of the local government.

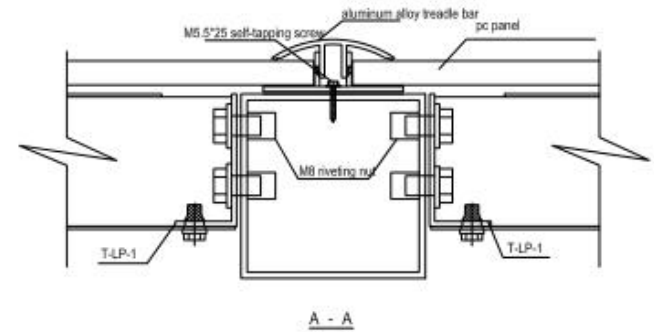
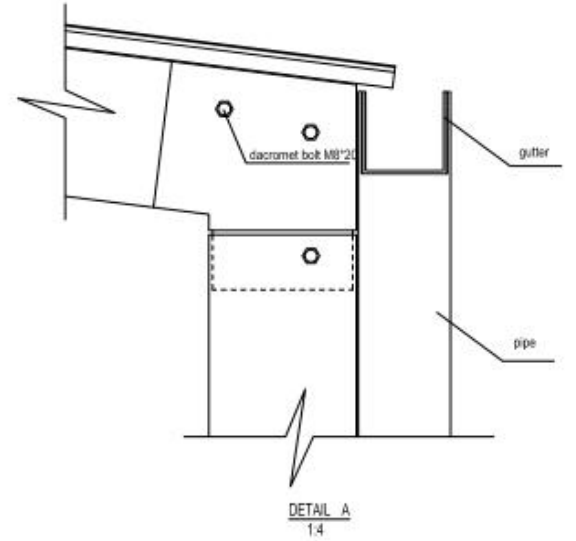
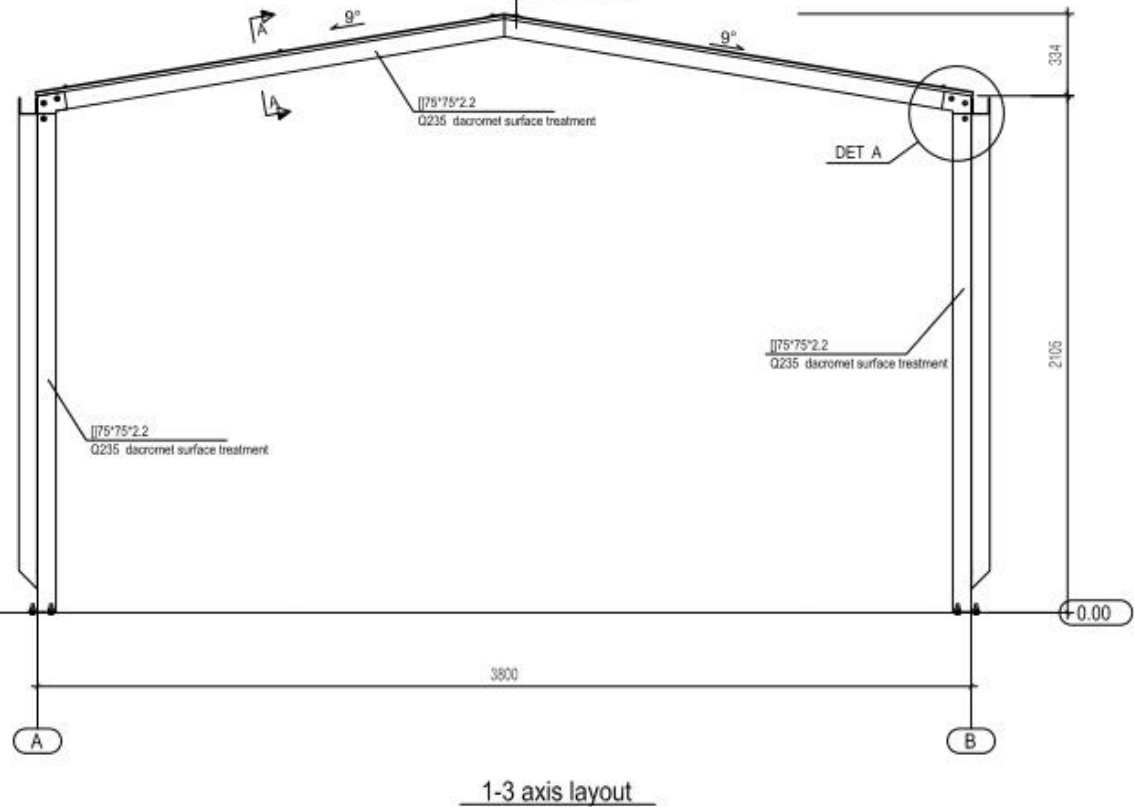
column layout



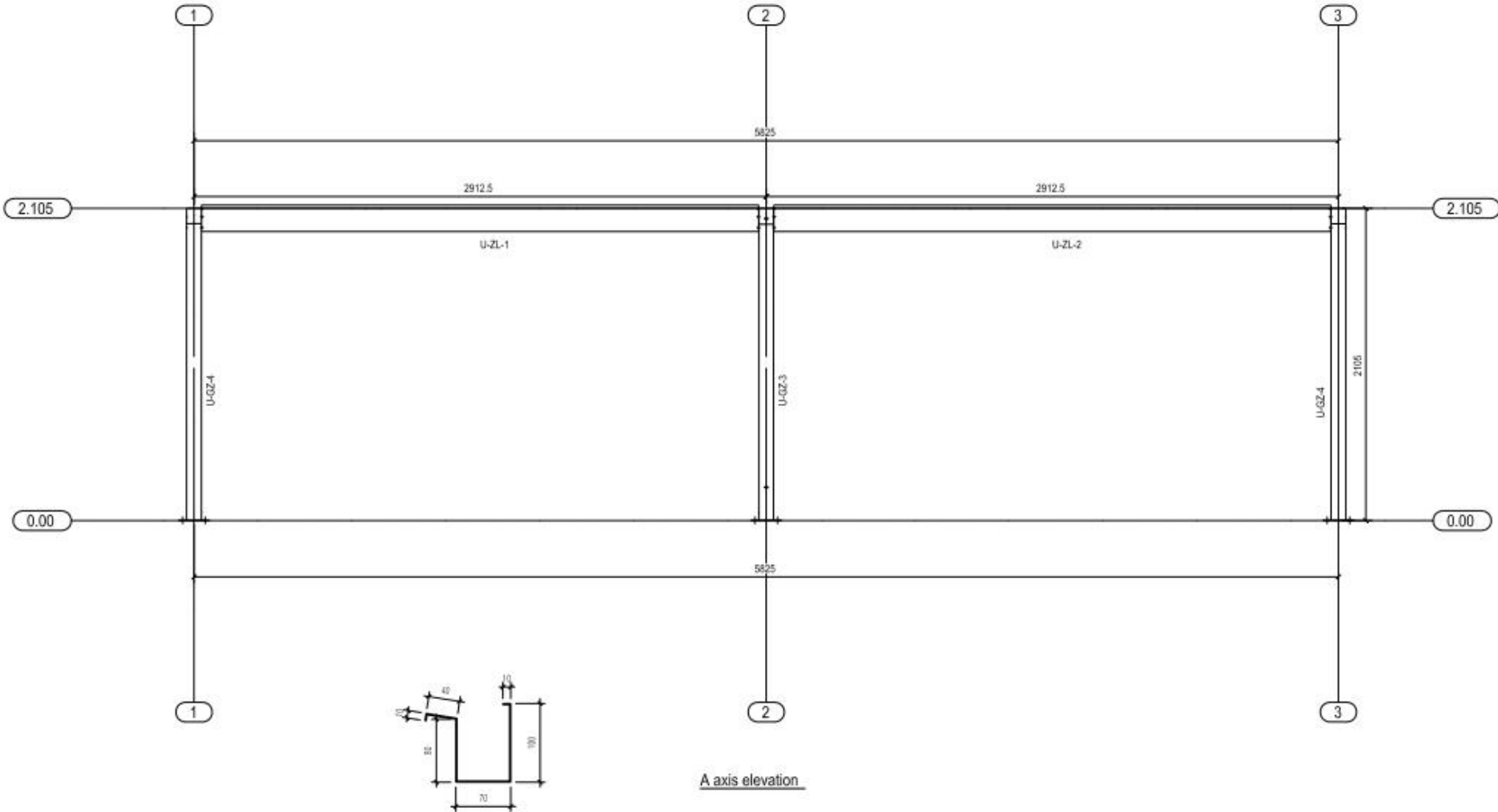
# Design



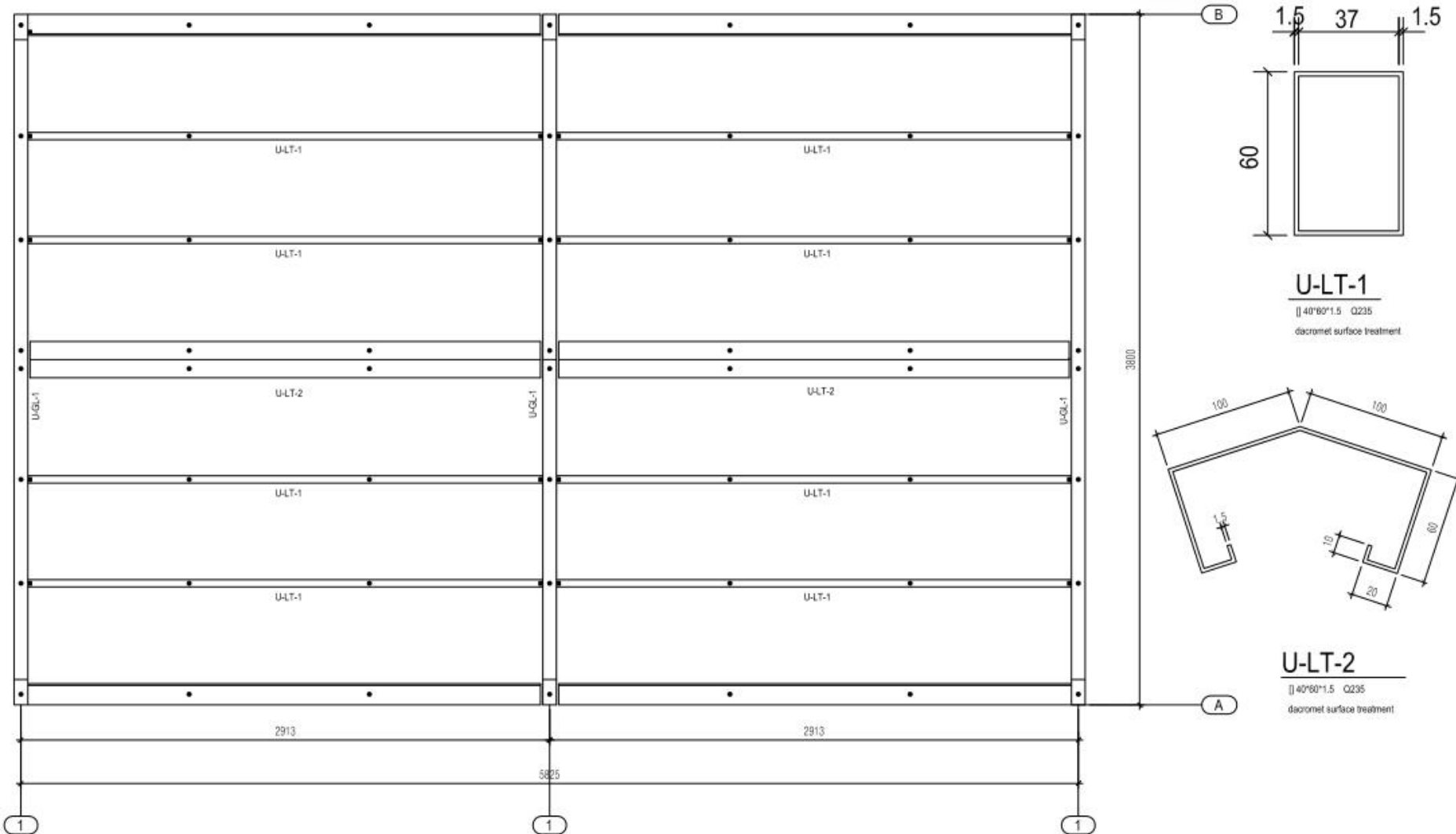
- M5.5\*55 self-tapping screw
- self-folding baffle bar for ridge
- aluminum alloy baffle bar
- pc panel
- roof beam 75\*75\*2.2



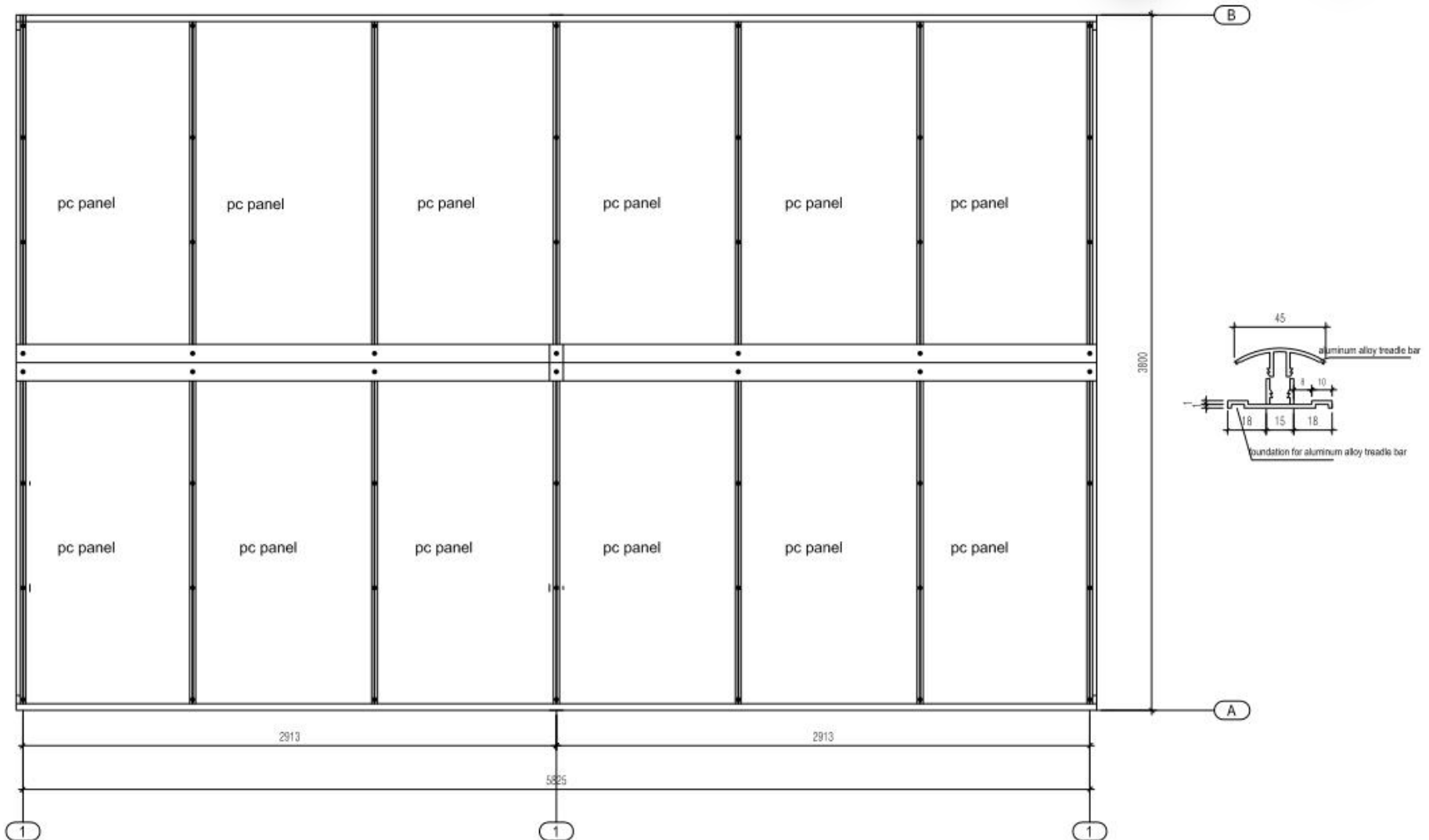
# Design



# Design



# Design



# Production delivery



## **purchase**

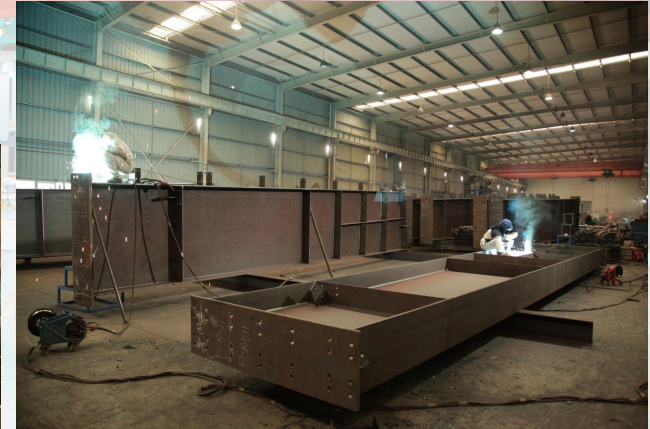
PTH has a mature procurement supply chain, including product raw materials, kitchen and bathroom accessories, household equipment and other supporting facilities.

## **produce:**

PTH has hundreds of fully automated mechanized production lines, which can be combined with efficient production arrangements to provide a strong guarantee for timely delivery of customer orders.

## **transport:**

PTH has more than 10 years of international logistics experience, and can provide customers with the best transportation routes, customs declaration, commodity inspection and other services.





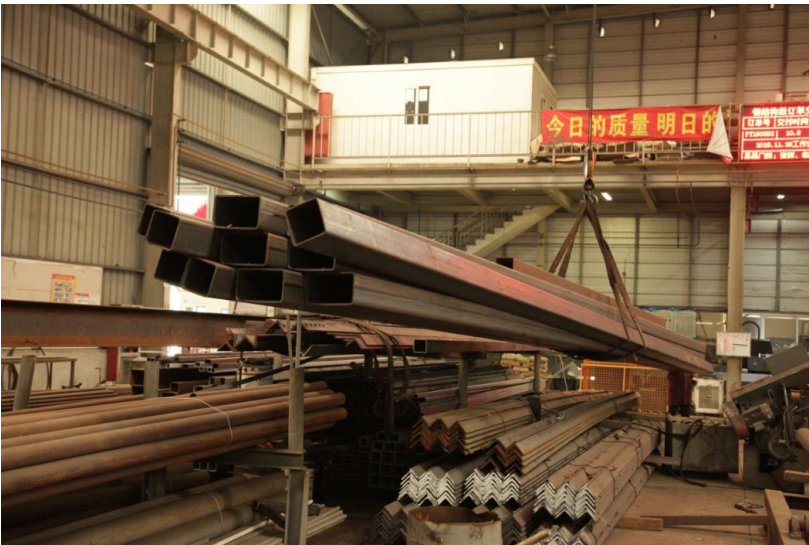
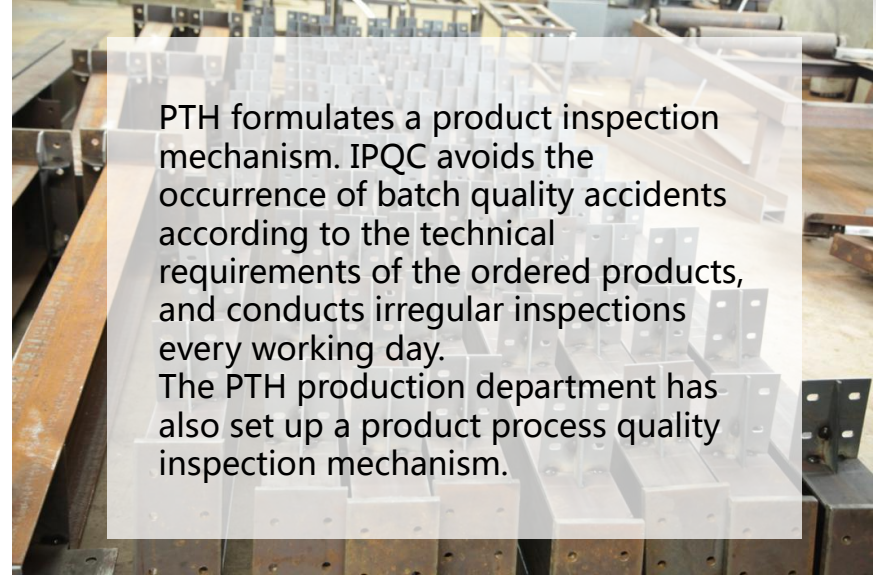
## Project production scenarios



PTH follows the ISO9000 quality system document framework, and manages and controls the products. From the beginning of raw material procurement, we strictly control and control.

The original and auxiliary materials and outsourced products need to be inspected. ICQC conducts inspection according to the "original and auxiliary material inspection standards" and confirms that the material quality/information meets the requirements of the design specifications. ICQC uploads the material inspection records, quality documents, and experimental reports to the ERP system.

# Project production scenarios



# Packing and loading



PTH designs reasonable packaging solutions based on product characteristics/customer requirements. Each unit component adopts independent small packaging, which is convenient for transportation and installation. At the same time, it is easy to load and unload, which reduces the labor cost.



# Project Installation



PTH will provide complete and detailed installation drawings for the products. Or the product provides installation video to intuitively display the installation steps and installation details of the product. In addition, EPC services and technical guidance can be provided according to customer needs to ensure the smooth and safe construction of the house.



## Project installation



# Project installation



## Customer feedback



We use the BIM system to manage and operate the entire project. PTH can provide remote telephone consultation and guidance according to customer needs, or can provide on-site maintenance and repair services according to customer needs.

PTH has always solved any customer's needs in a fast, high-quality and responsible manner, and actively communicated with the customer to confirm the project details, which was finally highly recognized by the customer.