

PTH

Chile Single-Layer Light Steel Villa

1. Project No. : PT180661
2. Project Date : Year 2018
3. Location : Chile
4. Scale : 61m²*7 single-layer villa
5. Category : light steel villa
6. Function : Real estate development
7. Characteristics : Single storey and unattached light steel villa with supporting facilities



PROJECT DESIGN



PTH owns 100+ architect and engineers at home and abroad, to provide customized design service for client with different requirements. We use the relevant information data of construction projects as the basis of the model to build the building model, and simulate the real information of the building through digital information simulation.

At present, we have finished the Revit research and development of company's products, laying a solid foundation to finish design effectively and accurately and also presenting details and three dimensional effects of our company's products to customers.

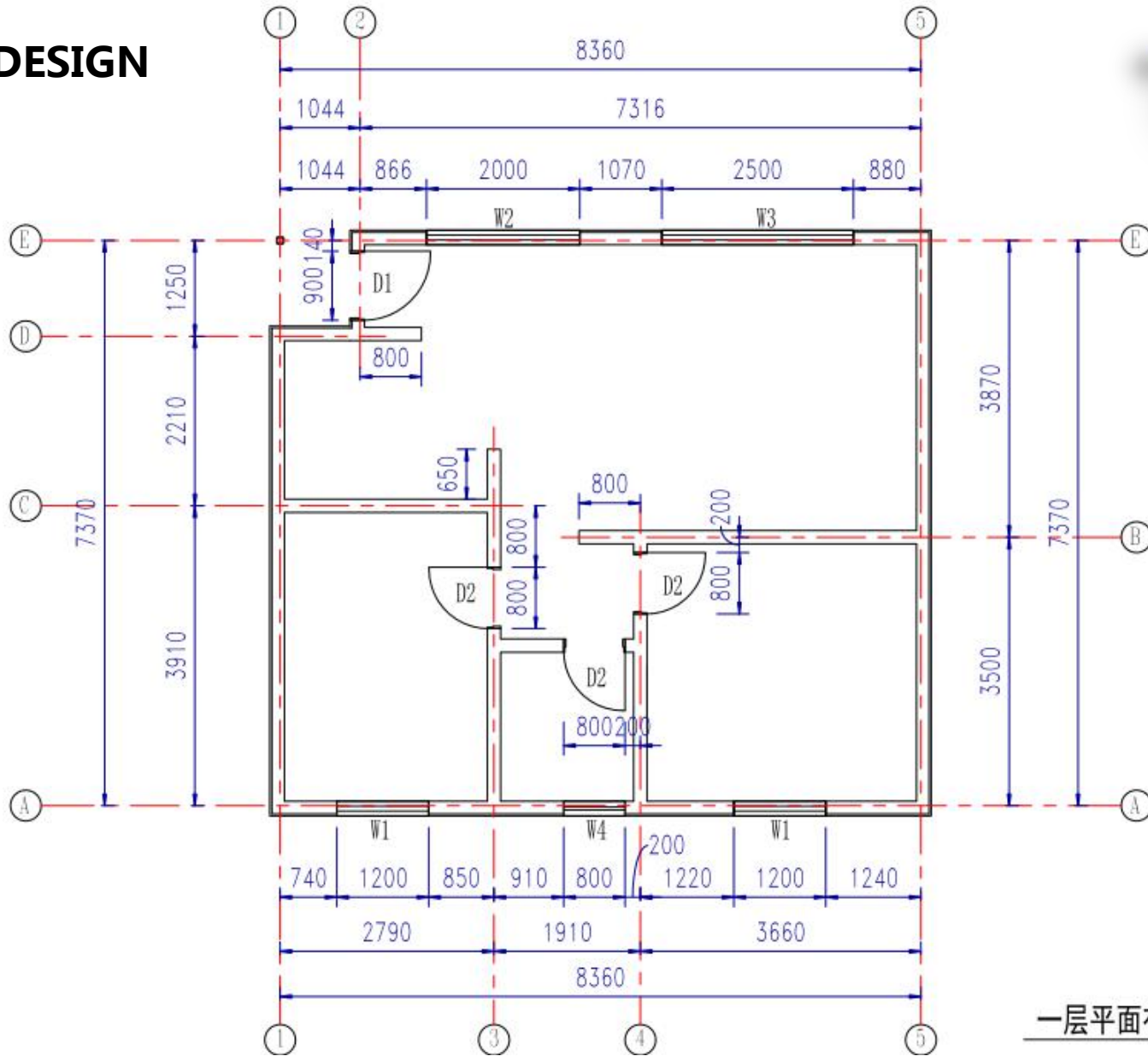
Project characteristics: The client is a real estate developer, and has cooperated with PTH many times. The client has high requirements for the villa type. After many improvements according to the client's requirements, the client has strict requirements on the roof shape and material. And customized cabinets and wardrobes as a matching.

Roofing: asphalt roofing shingle+3mm SBS waterproof material + 100mm EPS sandwich panel

Exterior wall board: 27mm PU metal carved board (RAL9016) + one-way housewrap+50mm EPS panel +12mm OSB board +150mm glass insulation cotton + one-way housewrap +12mm plasterboard

Inner wall board: 12mm plasterboard+ 150mm glass insulation cotton + 12mm plasterboard+ one-way housewrap(housewrap on both sides of the inner wall)

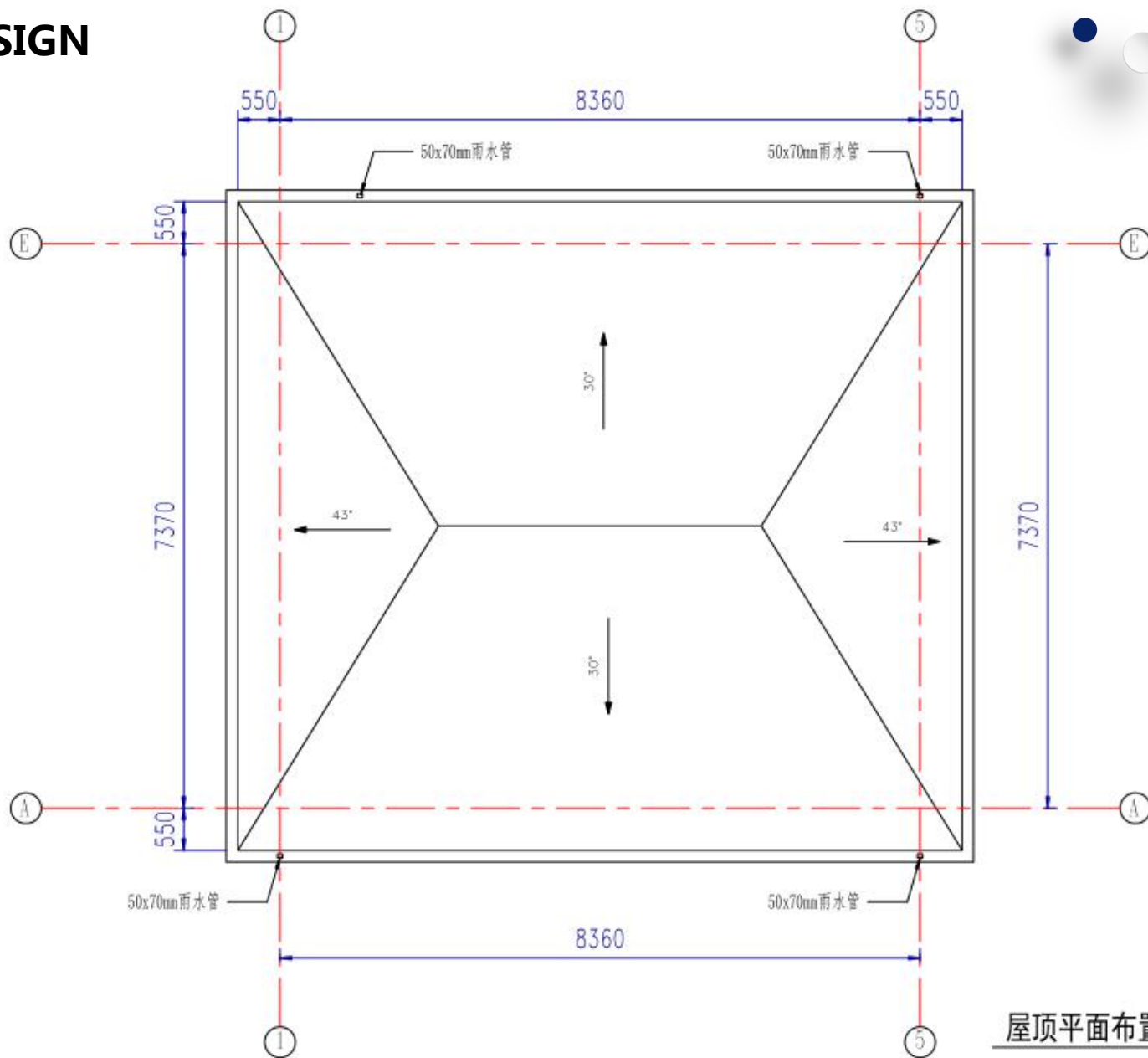
DESIGN



The preliminary design is made in accordance to client's requirement and local building code. After getting the permission by local authority, PTH will do the shop drawing for production.

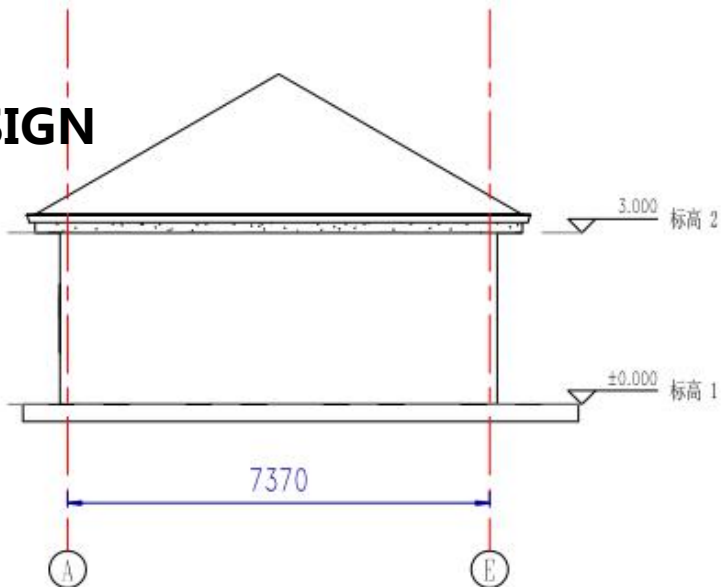
一层平面布置图

DESIGN

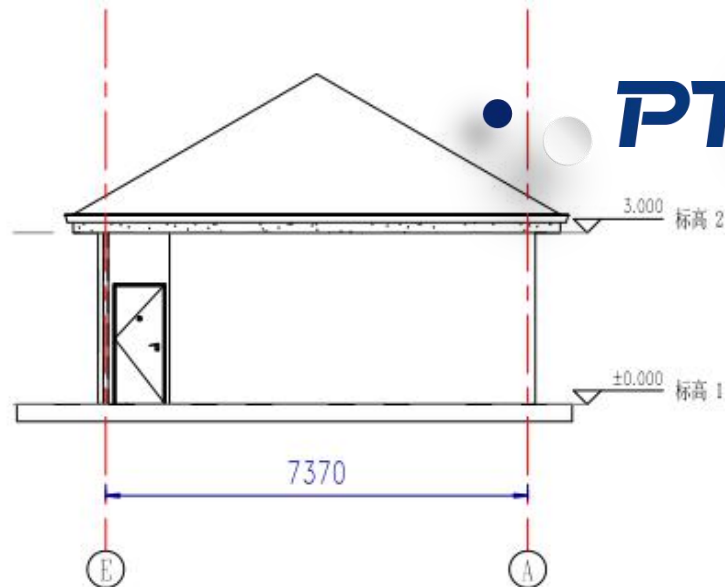


屋顶平面布置图

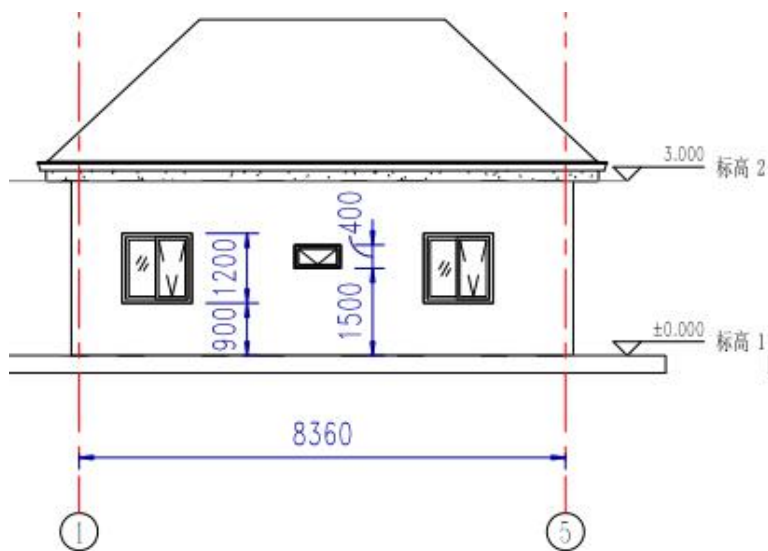
DESIGN



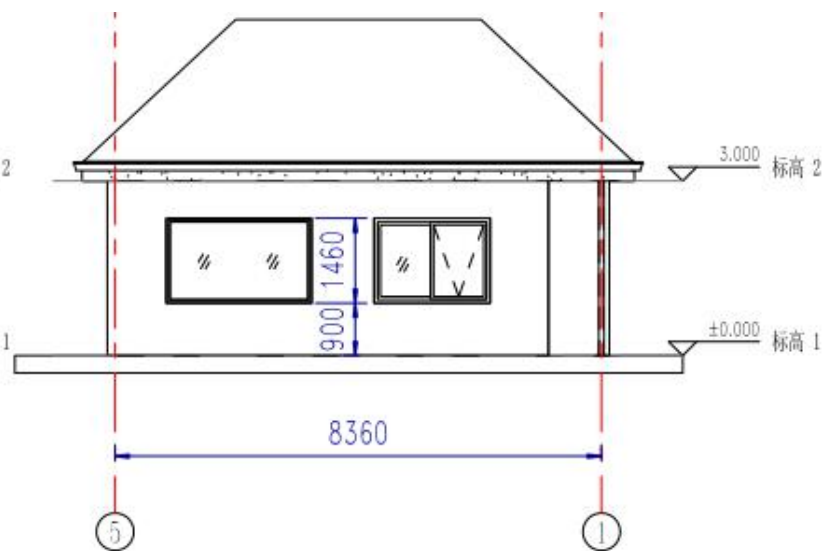
东立面



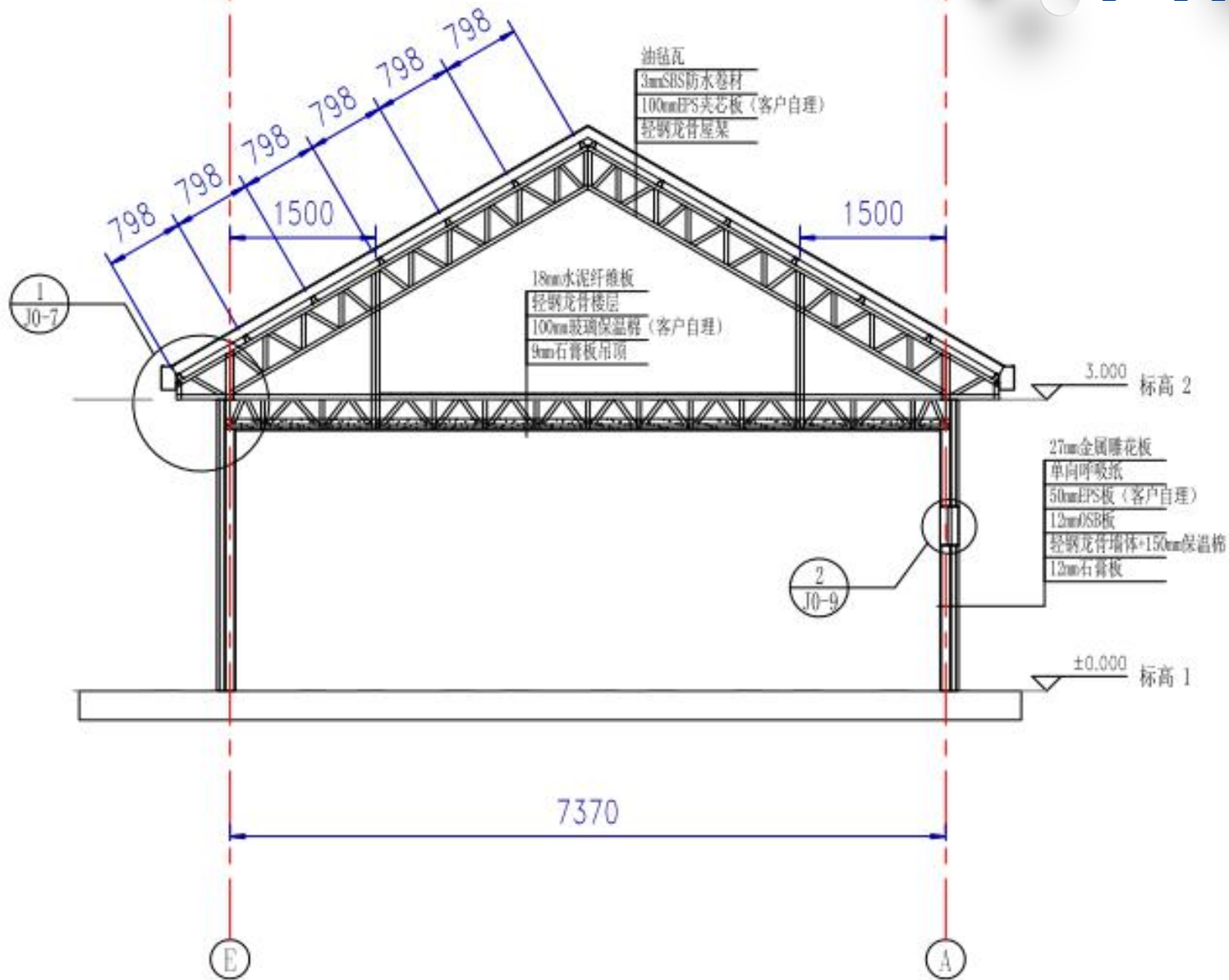
西立面



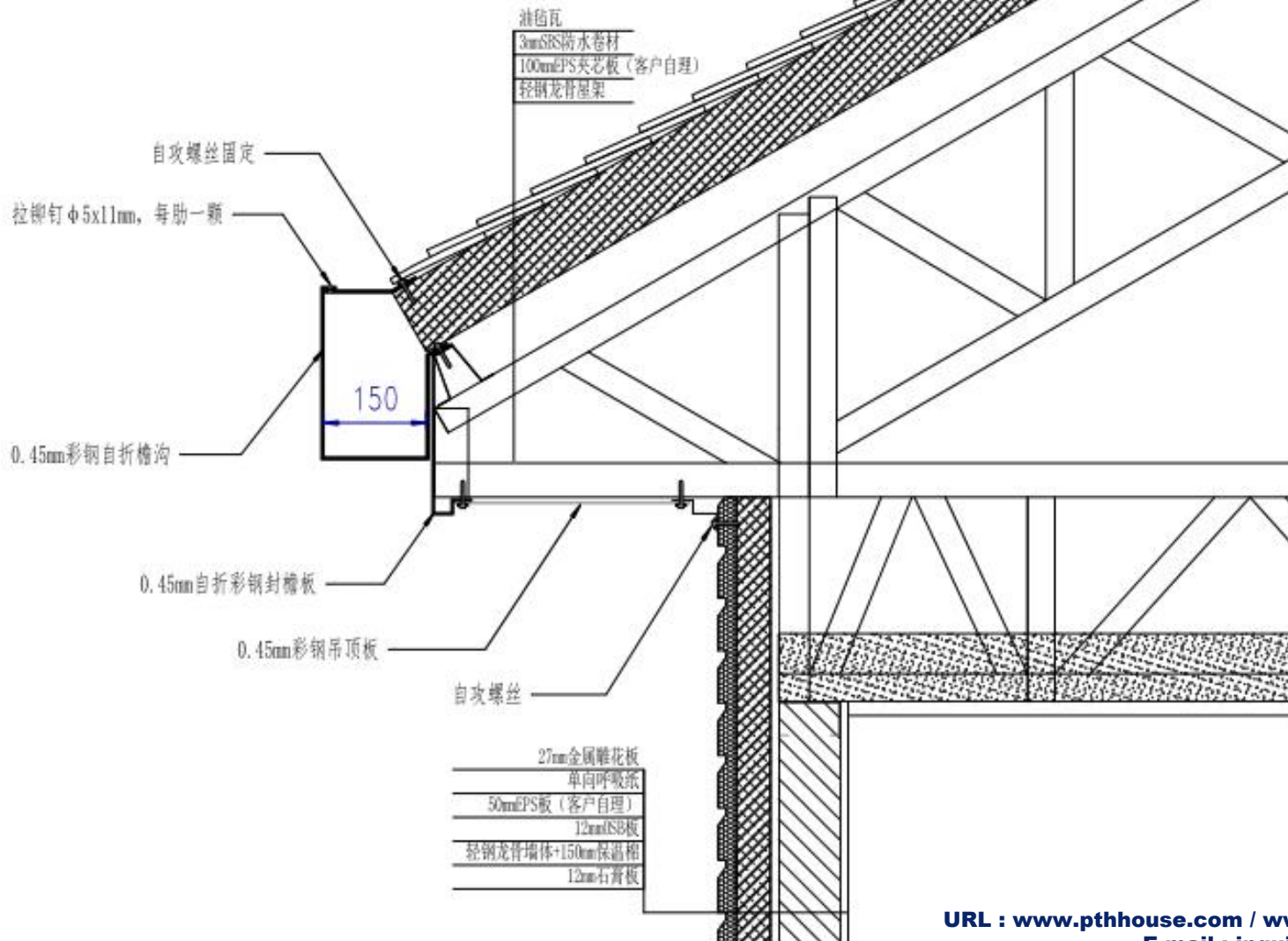
南立面



北立面



剖面 1



PRODUCTION & DELIVERY



PROCUREMENT :

PTH has a mature procurement supply chain, including product raw materials, kitchen and bathroom accessories, home equipment and other supporting facilities. Each year, PTH conducts quality assessments of suppliers, resolutely rejects unqualified suppliers, and guarantees the quality of products from the source.

PRODUCTION :

PTH owns hundreds of fully automatic mechanized production lines, which ensures high production efficiency and timely delivery. In the manufacturing process, PTH can provide production progress reports to customers through pictures and video. PTH has a professional quality inspection team which takes strict quality control in each process, and make sure defect product never be delivered to client.

TRANSPORTATION :

PTH, who has more than 20 years of international logistics experience. can provide customers with the best transportation routes, customs declaration, commodity inspection and other services, and truly realizes "door to door."



PRODUCTION PICTURES



Quality is the life of an enterprise and the foundation of sustainable development. PTH strictly follows the ISO9000 quality system and makes quality control in each process from material procurement to finished product delivery.

For outsourcing raw materials and accessories, it is reported to the ICQC team for inspection. ICQC will inspect according to "Raw Material Inspection Regulations", make sure the material technical specifications and quality meet GB standards, then upload the inspection record, QC document and test report to the ERP system.

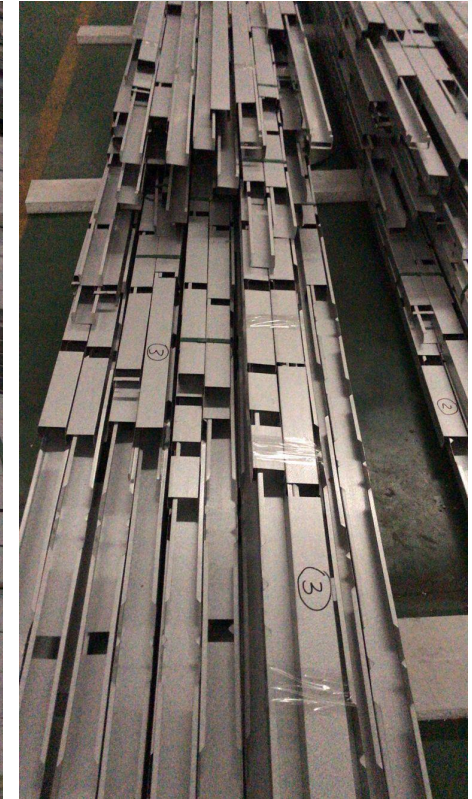
PRODUCTION PICTURES



PTH makes random inspection system for the manufacturing process. IPQC makes daily random inspection according to the quality requirement of each order, so as to avoid defect products.

The production team also set up process quality report system. Only those qualified products can be transferred to the next process.

PACKAGE & LOADING



PTH makes the most reasonable package plan according to the structure characteristics and quality requirement. The modular package design of the spare part effectively reduce the package volume. The spare parts of each module is packed in a separate package, these small package modular combination ensures a easy transportation and installation, which in return makes the loading and unloading much easier, and greatly reduces labor cost.

URL : www.pthhouse.com / www.putianhouse.com
E-mail : inquiry@putianhouse.com

INSTALLATION



PTH will provide complete and detailed installation drawings for the product. PTH has professional photography and post-production personnel who can provide installation videos for the product and intuitively demonstrate the installation steps and installation details of the product.

PTH owns on-site installation guidance experience for dozens of projects such as Mozambican light steel villa resorts, Chilean container camps, etc. It can provide EPC construction services and technical guidance according to the needs of customers to ensure the smooth and safe construction of the houses required by customers and realize real "Check-in".

Local installation



URL : www.pthhouse.com / www.putianhouse.com
E-mail : inquiry@putianhouse.com

Local installation



Local installation



CLIENT FEEDBACK



We use BIM system to manage and operate the whole project. For the maintenance, PTH provide online technical support or maintenance service on the site per client requirement.

The customer has purchased PTH light steel villa products three times before. This time, some materials were sent out first, and then the cabinet and wardrobe and bathroom equipment need to be confirmed for the second shipment.